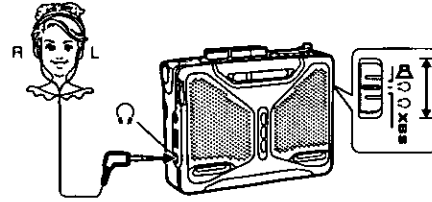


First of all, remove the head spacer.

Before use

- **Listening through stereo headphones**
Plug stereo headphones (included) into [Ω], and set [□, ○, ○XBS] to [○].
- **Listening through the speaker**
Set [□, ○, ○XBS] to [□].

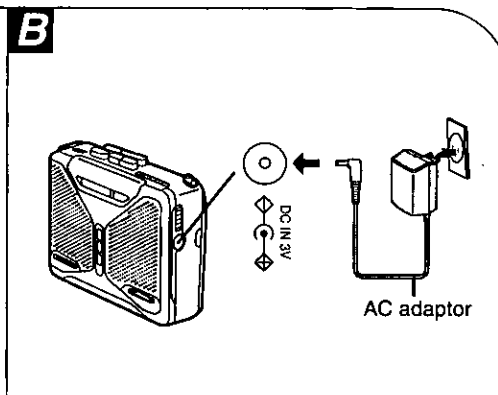
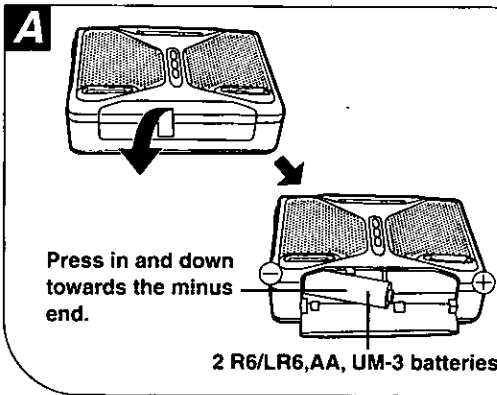


Power source

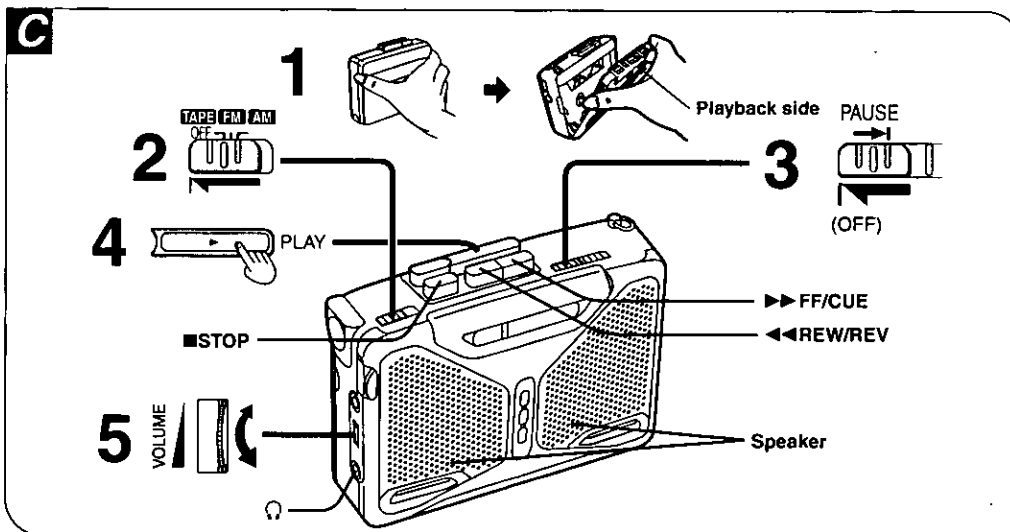
- **Dry cell batteries** **A**
Use two R6/LR6, AA UM-3 (not included) batteries.

- **AC power operation** **B**
Use the Panasonic AC adaptor RP-AC31 (not included).

● When not in use, disconnect the AC adaptor from the AC power outlet.



To playback tapes

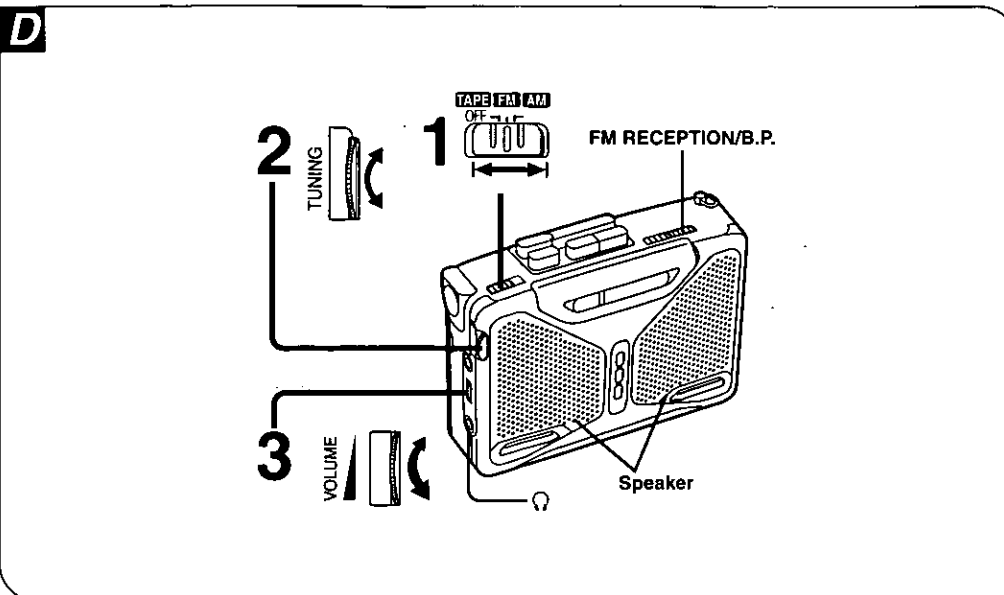


Basic operation

You can use normal position type tapes only.

Function	Operation
Stop	During playback, press [■ STOP].
Fast forward or rewind	In the stop mode, press [▶▶ FF/CUE] (Fast forward) or [◀◀ REW/REV] (Rewind).
Temporary stop	Set [PAUSE] to PAUSE. To resume playback set it to OFF position.

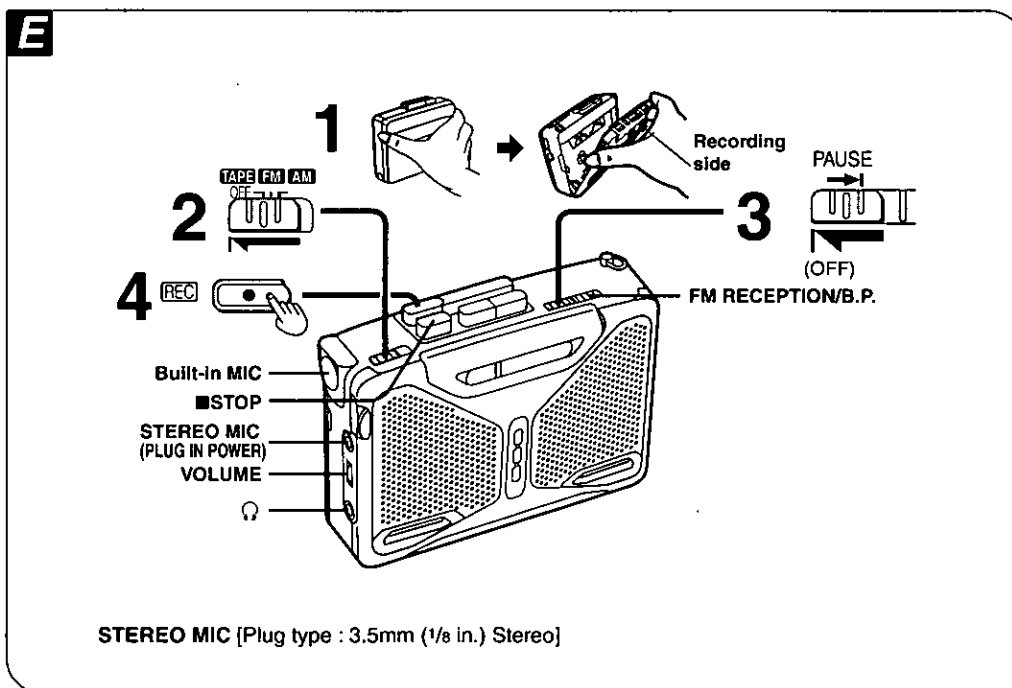
Listening to the radio



Basic operation

Function	Operation
Off	Set [TAPE (OFF), FM, AM] to [TAPE (OFF)].

To record through the built-in microphone (monaural)



Basic operation

You can use normal position type tapes only. The sound may not be recorded properly if high position tapes and metal position tapes are used with this unit.

Function	Operation
Stop	Press [■ STOP].
Temporary stop	Set [PAUSE] to PAUSE. To resume recording set it to OFF position.

PLAYBACK



Cue and review

Sound can be monitored at a high speed as long as [▶▶FF/CUE] (cue) or [◀◀REW/REV] (review) is held down during playback.

When the button is released, normal playback will start.

Auto Stop

When the tape reaches the end during play, play will automatically stop.

Note:

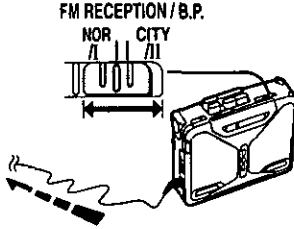
- Do not open the cassette compartment cover during tape operation.
- When the tape reaches the end after fast forward or rewind, press [■ STOP] to release the button.

RADIO



To obtain better reception

FM: Extend the headphone cord.



How to receive an FM broadcast clearly
Set [FM RECEPTION/B.P.] to [NOR/I].

When the FM reception is impaired, or there is interference from a powerful station set it to [CITY/II].

AM:



REC



Recording radio broadcasts

Tune to the desired station, then follow steps 1, 3 and 4 of "To record through the built-in microphone (monaural)" E.

■ When there is too much interference during AM recording

Set [FM RECEPTION/B.P.] to [NOR/I] or [CITY/II] whichever yields less noise.

To record through the external microphone

Plug the external stereo microphone (not included) into [STEREO MIC (PLUG IN POWER)].

• The built-in microphone will be automatically disconnected.

Plug type: 3.5 mm (1/4 in.) stereo

- You can use a condenser microphone with or without built-in power supply.

Follow up recording

Recording can be started during playback by simply pressing [● (REC)].

Monitoring

The sound can be heard with headphones (included) plugged into [Q].

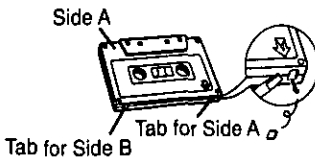
Note:

- Any change made to the volume during recording will not affect the recorded sound.

Erasure prevention

Removing the tab(s) of the cassette (with a small screwdriver) will prevent accidental erasure.

To record again, cover the hole of the tab with adhesive tape.



BASS



XBS

Boosts the low frequency range.

■ To listen with emphasized low sound

Set [□, Q, Q XBS] to [Q XBS].

- If distortion occurs, turn down the volume.
- You cannot make a recording or listen through the speaker with the XBS effect.

BATT



- Align the poles (⊕ and ⊖) properly when inserting the batteries
- Do not mix old and new batteries or different types of batteries
- Do not recharge ordinary dry cell batteries
- Remove the batteries if the unit is not to be used for a long time
- Do not use the batteries if the covering has been peeled off

Mishandling of batteries can cause electrolyte leakage which can damage items the fluid contacts and may cause a fire. If electrolyte leaks from the batteries, consult your dealer. Wash thoroughly with water if electrolyte comes in contact with any part of your body.

- If rechargeable batteries are to be used, rechargeable batteries manufactured by Panasonic are recommended.

Battery condition indicators

[BATT LEVEL] indicators light during operation. As the charge reduces the lamps go out.



When the batteries are weak

The last indicator becomes dim or turns off.

CAUTION



- Avoid using or placing this unit near sources of heat
- Do not leave it in an automobile exposed to direct sunlight for a long period of time with doors and windows closed

- To avoid product damage, do not expose this product to rain, water or other liquids.

Listening caution



Do not play your headphones or earphones at a high volume. Hearing experts advise against continuous extended play.

If you experience a ringing in your ears, reduce volume or discontinue use.

Do not use while operating a motorized vehicle. It may create a traffic hazard and is illegal in many areas.

You should use extreme caution or temporarily discontinue use in potentially hazardous situations.

Even if your headphones or earphones are the open-air type designed to let you hear

outside sounds, don't turn up the volume so high that you can't hear what's around you.

Sound can be deceiving. Over time your hearing "comfort level" adapts to higher volumes of sound. So what sounds "normal" can actually be loud and harmful to your hearing.

Guard against this by setting your equipment at a safe level BEFORE your hearing adapts.

To establish a safe level:

- Start your volume control at a low setting.
- Slowly increase the sound until you can hear it comfortably and clearly, and without distortion.

Once you have established a comfortable sound level:

- Set the dial and leave it there.

MAINTENANCE

If the surfaces are dirty

To clean this unit, wipe with a soft, dry cloth.

If the surfaces are extremely dirty, use a soft cloth dipped in a soap-and-water solution or a weak detergent solution.

- Never use the alcohol, paint thinner or benzene to clean this unit.

- Before using chemically treated cloth, read the instructions that came with the cloth carefully.

For a cleaner crisper sound

Clean the heads regularly to assure quality playback and recording. Use a cleaning tape (not included).

Product Service

Do not attempt to remove the cover(s) or repair the unit yourself. Refer servicing to qualified personnel only.

Product information

For product service, product information or assistance with product operation, refer to the servicenter directory.

User memo

DATE OF PURCHASE _____
DEALER NAME _____
DEALER ADDRESS _____
TELEPHONE NUMBER _____

Radio frequency range
 FM: 87.5-108.0 MHz
 AM: 525-1710 kHz

Power requirement
 Battery: DC 3 V
 (two R6LR6, AA, UM-3 batteries)
 AC: DC IN 3 V with Panasonic AC
 adaptor RP-AC31 (not
 included)

Track system
 4 track, 2 channel, stereo

Recording system
 AC bias, magnet erase

Monitor system
 Variable

Frequency range
 Playback: 40-16000 Hz
 Rec/Playback: 70-8000 Hz

Tape speed
 4.8 cm/s (1 1/2 ips)

Jack: Input: STEREO MIC; 0.6 mV
 (200-600 Ω)

Output: HEADPHONES
 3.6 cm x 2

Dimensions(W×H×D) 113.0×86.6×38.0 mm
 (4 7/16"×3 7/16"×1 1/2")

Weight 194 g (6.8 oz) without batteries

Play time
 [When used at 25 °C(77 °F), on a flat stable surface]

Panasonic alkaline
 dry cell batteries

Recording: About 20 hours (MIC)
 About 24 hours (headphones)

Playback: About 14 hours (speakers)
 About 57 hours (headphones)
 About 21 hours (speakers)

Radio: About 21 hours (speakers)

•The play time may be less depending on the operating conditions.

Note:
 Specifications are subject to change without notice.
 Weight and dimensions are approximate.

Panasonic Consumer Electronics
 Company, Division of Matsushita
 Electric Corporation of America
 One Panasonic Way,
 Secaucus, New Jersey 07094

Panasonic Audio Products Limited Warranty

Panasonic Sales Company, Division
 of Matsushita Electric Corporation
 of Puerto Rico, Inc.
 Ave. 65 de Infernaria, Km. 9.5
 San Gabriel Industrial Park,
 Carolina, Puerto Rico 00985

Panasonic Consumer Electronics Company or Panasonic Sales Company (collectively referred to as "the warrantor") will repair this product with new or refurbished parts in the event of a defect in materials or workmanship, free of charge, in the U.S.A. or Puerto Rico as follows (all time periods start from the date of original purchase):

COMPACT DISC PLAYERS, RADIOS, VIDEO CD PLAYERS, RADIO CASSETTE PLAYERS/RECORDERS (with and without CD Players), CASSETTE RECORDERS, MICROCASSETTE RECORDERS/TRANSCRIBERS AND IC RECORDERS—labor and parts for one (1) year.

ACCESSORIES—HEADPHONES, CARTRIDGES, MICROPHONES, ADAPTERS—labor and parts for ninety (90) days.

BATTERIES—(when applicable)—New rechargeable batteries in exchange for defective rechargeable batteries for ten (10) days. Non-rechargeable batteries are not warranted.

RECHARGEABLE BATTERY PACKS—(when applicable)—New rechargeable battery packs in exchange for defective rechargeable battery packs for ninety (90) days. Non-rechargeable battery packs are not warranted.

Carry-in or mail-in service in the U.S.A. can be obtained during the warranty period by contacting a Panasonic Services Company (PASC) Factory Servicenter listed in the Servicenter Directory. Or call toll free, 1-800-211-7262 to locate a PASC authorized Servicenter. Carry-in or mail-in service in Puerto Rico can be obtained during the warranty period by calling the Panasonic Sales Company telephone number listed in the Servicenter Directory.

This warranty is extended only to the original purchaser. A purchase receipt or other proof of date of original purchase will be required before warranty service is rendered.

This warranty only covers failures due to defects in materials and workmanship

which occur during normal use and does not cover normal wear to the stylus (when applicable) or a dealer installed cartridge or stylus. The warrantor does not cover damages which occur in shipment or failures which are caused by products not supplied by the warrantor, or failures which result from accident, misuse, abuse, neglect, mishandling, faulty installation, misapplication, set-up adjustments, maladjustment of consumer controls, improper operation or maintenance, improper antenna, inadequate signal reception or pick-up, alteration, modification, power line surge, improper voltage supply, lightning damage, commercial use, such as; hotel, office, restaurant, or other business or rental use of the product, or service by anyone other than a PASC Factory Servicenter or a PASC authorized Servicenter, or damage that is attributable to acts of God.

LIMITS AND EXCLUSIONS

There are no express warranties except as listed above.

THE WARRANTOR SHALL NOT BE LIABLE FOR INCIDENTAL OR CONSEQUENTIAL DAMAGES RESULTING FROM THE USE OF THIS PRODUCT, OR ARISING OUT OF ANY BREACH OF THIS WARRANTY, INCLUDING WITHOUT LIMITATION, DAMAGE TO TAPES, RECORDS OR DISCS. ALL EXPRESS AND IMPLIED WARRANTIES, INCLUDING THE WARRANTIES OF MERCHANTABILITY, AND FITNESS FOR A PARTICULAR PURPOSE, ARE LIMITED TO THE APPLICABLE WARRANTY PERIOD SET FORTH ABOVE. Some states do not allow the exclusion or limitation of incidental or consequential damages, or limitations on how long an implied warranty lasts, so the above exclusions or limitations may not apply to you.

This warranty gives you specific legal rights and you may also have other rights which vary from state to state.

If a problem with this product develops during or after the warranty period, you may contact your dealer or Servicenter. If the problem is not handled to your satisfaction, then write to the Panasonic Consumer Call Center at the company address above or call toll free 1-800-211-7262.

If you ship the product

Carefully pack and send it prepaid, adequately insured and preferably in the original carton.
 Attach a postage-affixed letter, detailing the complaint, to the outside of the carton.

Do NOT send the product to the Executive or Regional Sales offices. They are NOT equipped to make repairs.

Customer's Record

Modal No. _____ Serial No. _____ or _____ Code No. _____ Date of Purchase _____	Dealer's Name _____ _____ Dealer's Address _____ _____
---	---